

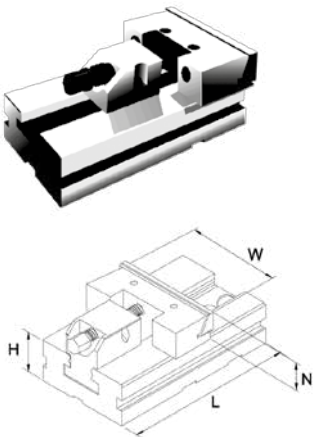
Geteilte Schraubstöcke Typ CMC

Modular vices type CMC

Bewegliches Element Typ CMC

Movable jaw section type CMC

- speziell zum Spannen übergroßer Werkstücke
- vielseitige Spannmöglichkeiten
- for clamping oversized work pieces
- various clamping possibilities



W mm	N mm	L mm	H mm	kg	Art.-Nr. / Order no.
100	30	140	35	4	● ZE-GS-B100
125	40	160	40	6	● ZE-GS-B125
150	50	230	50	14	● ZE-GS-B150
175	60	240	58	21	● ZE-GS-B175
200	65	300	70	35	● ZE-GS-B200
300	80	350	78	60	○ ZE-GS-B300

Festes Element Typ CMC

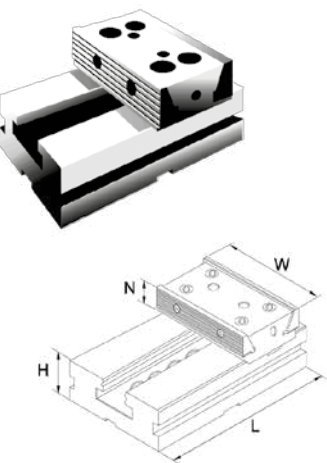
Fixed jaw section type CMC

W mm	N mm	L mm	H mm	kg	Art.-Nr. / Order no.
100	30	140	35	4	● ZE-GS-F100
125	40	160	40	6	● ZE-GS-F125
150	50	230	50	13	● ZE-GS-F150
175	60	240	58	18	● ZE-GS-F175
200	65	300	70	30	● ZE-GS-F200
300	80	350	78	51	○ ZE-GS-F300

Festes Element doppelt Typ CMC

Double fixed jaw section type CMC

- mit beidseitiger Spannmöglichkeit
- with double-sided clamping possibility



W mm	N mm	L mm	H mm	kg	Art.-Nr. / Order no.
100	30	140	35	4	○ ZE-GS-D100
125	40	160	40	6	○ ZE-GS-D125
150	50	230	50	13	○ ZE-GS-D150
175	60	240	58	19	○ ZE-GS-D175
200	65	300	70	30	○ ZE-GS-D200
300	80	350	78	53	○ ZE-GS-D300